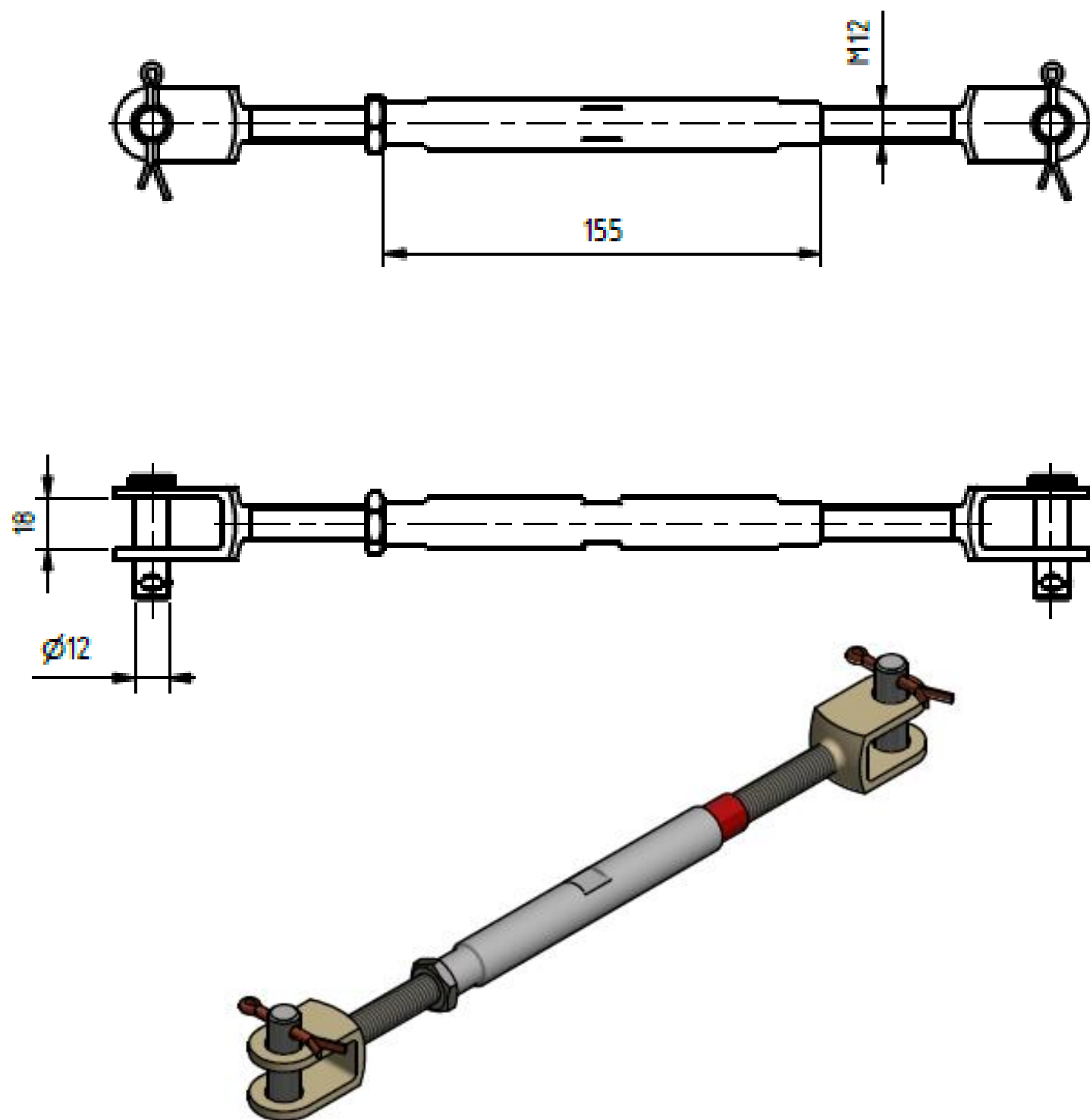


# Catalogue sheet

## Screw turnbuckle 30 kN with two clevises and pins

Order number: 0148.2.01



## Technical parameters

- Material: Bronze, stainless steel, copper split pins
- Weight: 0,45 kg (1 lb)
- Screw turnbuckle clevis-clevis
- Screws M12, inner clevis spacing 17,8mm (0,7 in)
- Max. tensile strength: 30kN
- Expanded 340mm (13,39 in), retracted 230mm (9,05 in)

### **Esko spol. s r.o.**

Praha 5, Jinonická 80, 15800 CZ  
IČO: 60471999  
DIČ: CZ60471999

Email: [info@esko-praha.cz](mailto:info@esko-praha.cz)  
Phone: +420257290280  
[www.esko-praha.cz](http://www.esko-praha.cz)