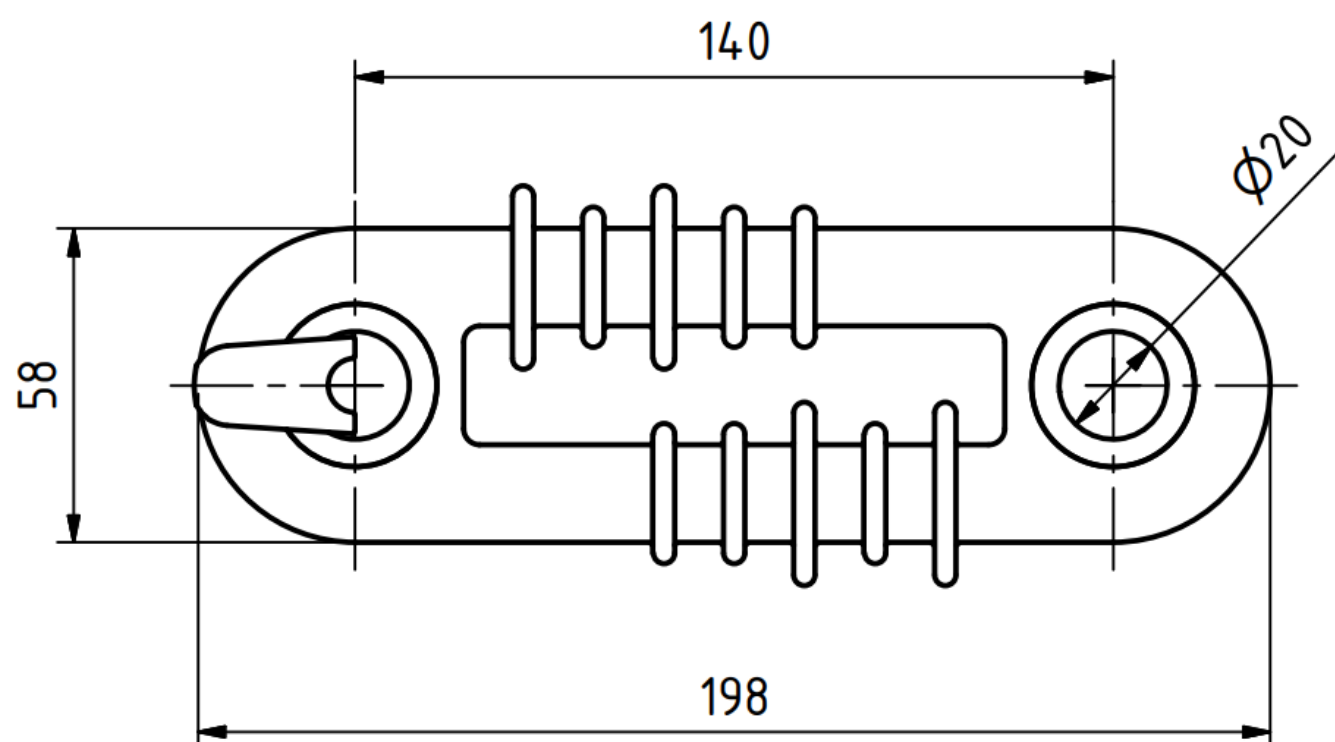
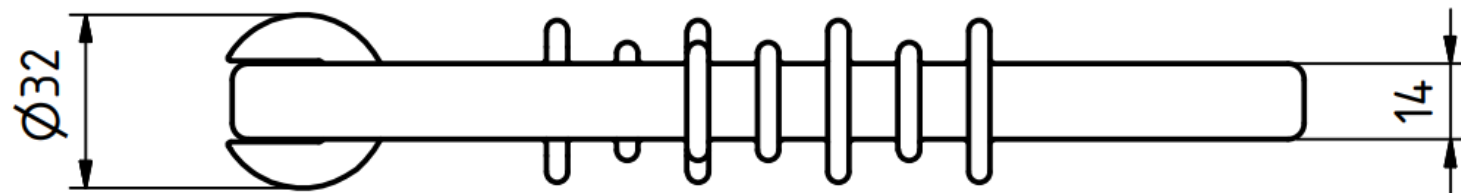


Catalogue sheet

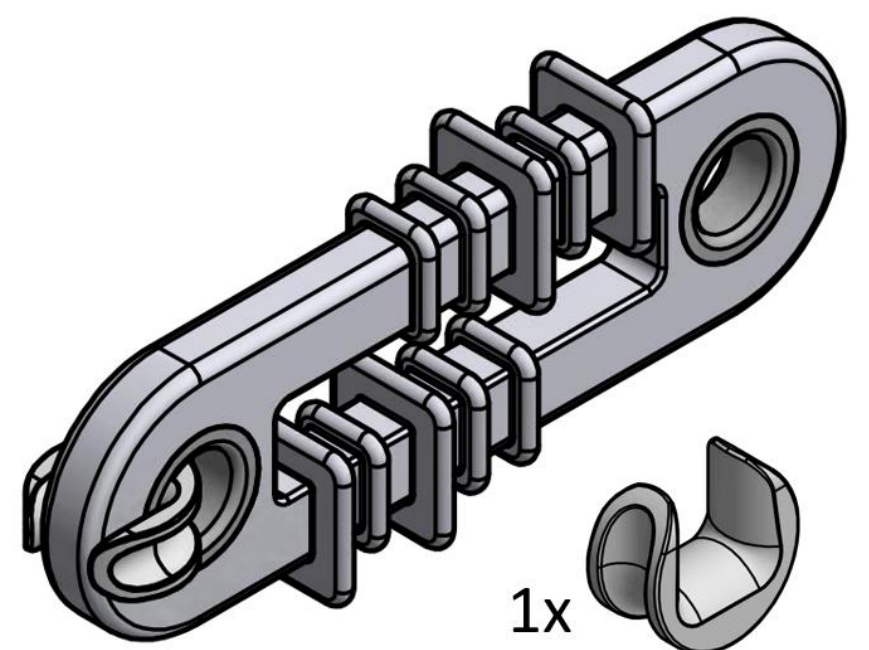
Loop insulator ESKO III - one thimble

Order number: 0151.8.2



Technical parameters

- Material: Plastic, steel
- Weight: 0,25 kg (0,55 lb)
- Max. load: 25kN
- Rated voltage: 3kV EN 50163



Esko spol. s r.o.

Praha 5, Jinonická 80, 15800 CZ
IČO: 60471999
DIČ: CZ60471999

Email: info@esko-praha.cz
Phone: +420257290280
www.esko-praha.cz