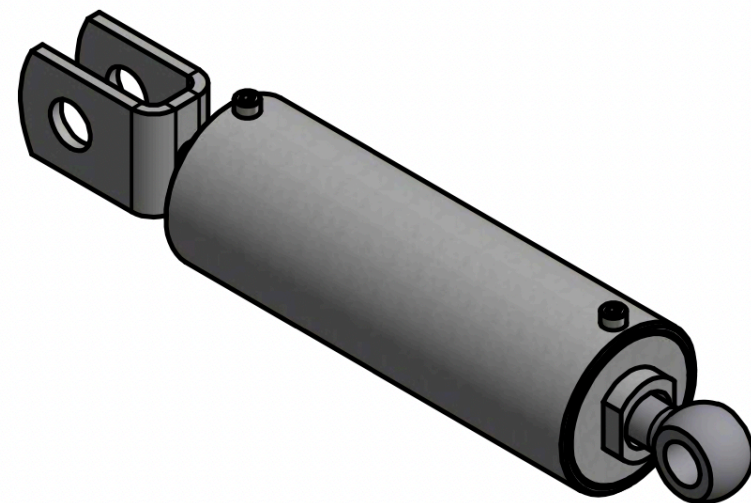
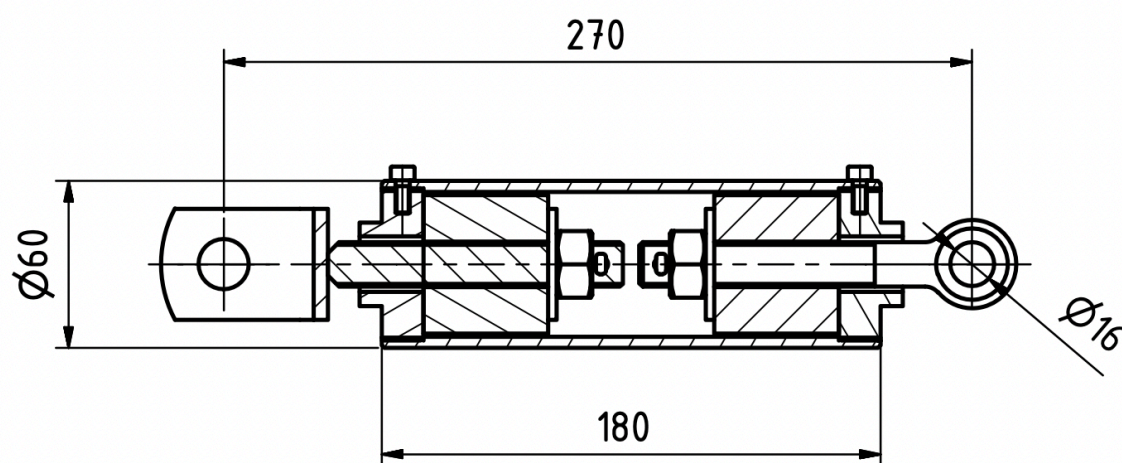


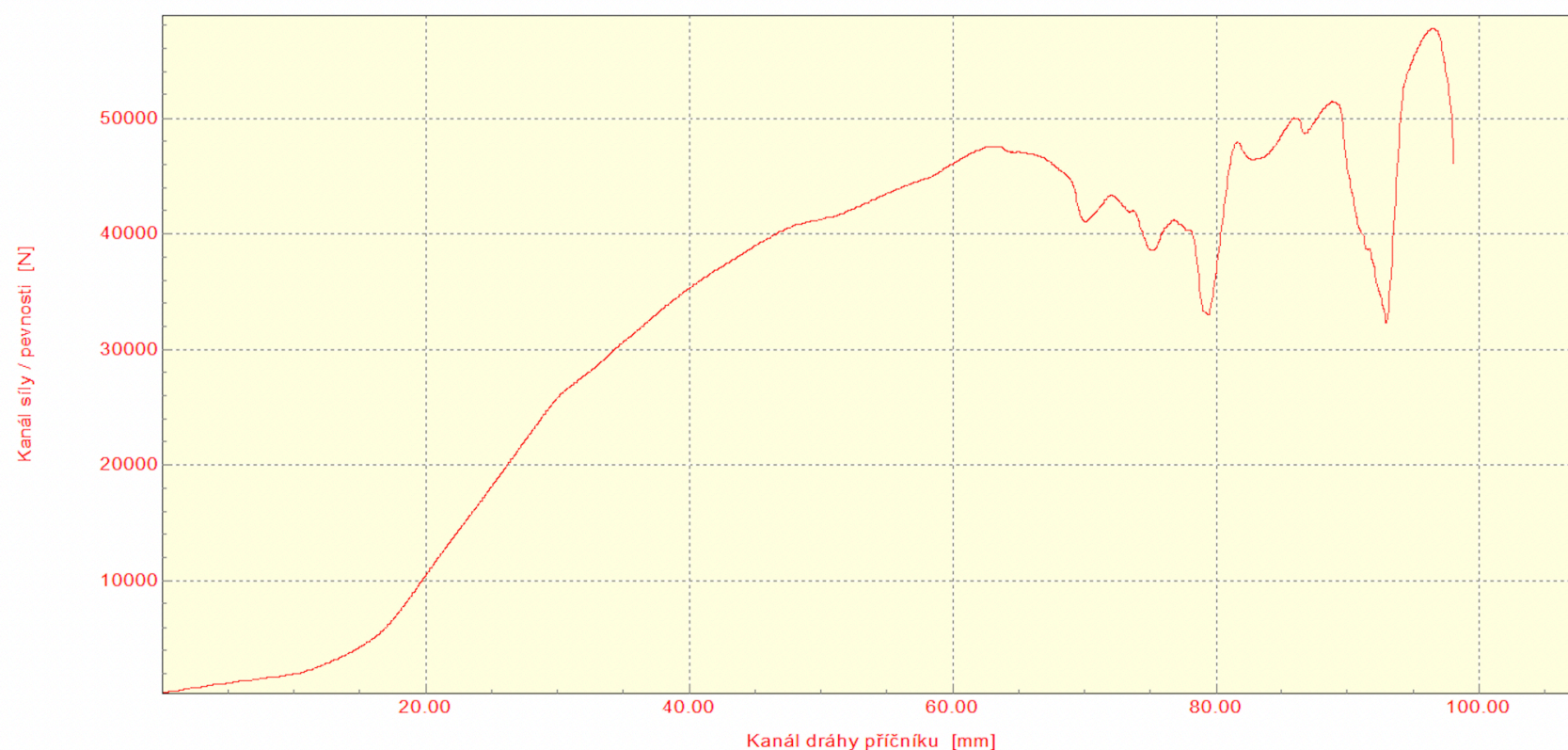
Catalog sheet

Vibration damper

Order number: 0328.1.225



Static tensile test
EN ISO 6892-1



Technical parameters

- Material: Stainless steel, rubber, cupric
- Weight: 2,6 kg
- Maximum load: 24 kN
- Functional load: 8 – 15 kN
- there will be no disconnection after possible crushing of the damping rubbers

Esko spol. s r.o.

Praha 5, Jinonická 80, 15800 CZ
IČO: 60471999
DIČ: CZ60471999

Email: info@esko-praha.cz
Phone: +420257290280
www.esko-praha.cz